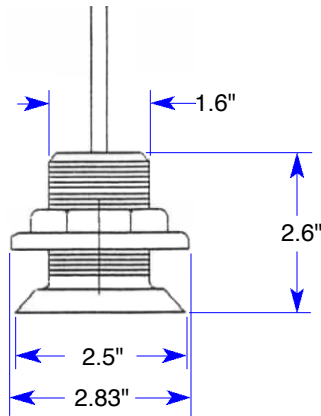


Note: The flush & mushroom thru-hull dimensions are the same for the Speed Transducers.

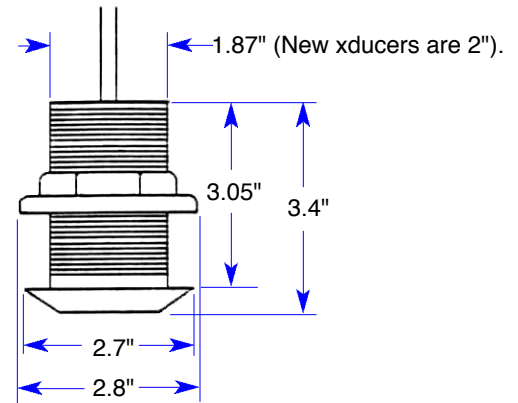
1 5/8" hole with beveled flange.



FLUSH NYLON

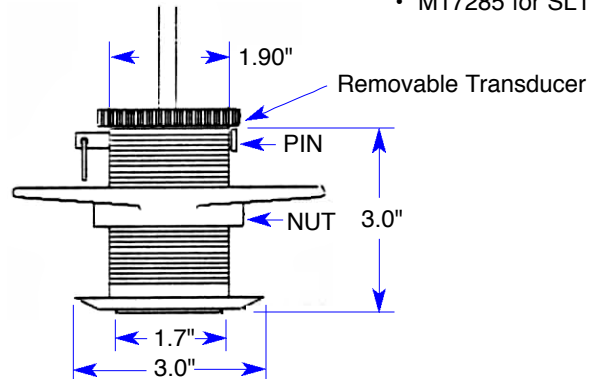
- M17230 for SL172
- M1533 Thru-hull
- 1-2400.100 (6 PIN CONXALL).

1 7/8" straight hole cut out. (New xducers are 2").



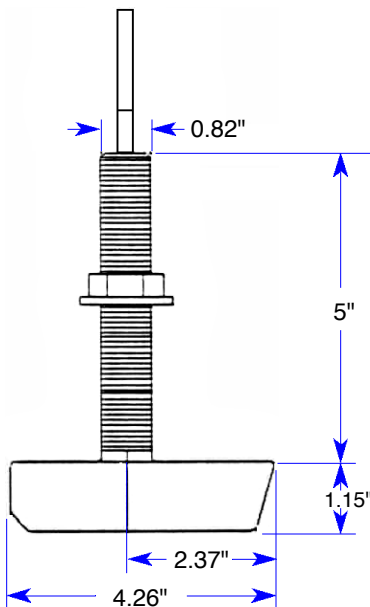
MUSHROOM NYLON

- 1-2401.100 (6 PIN CONXALL)
- M17285 for SL172

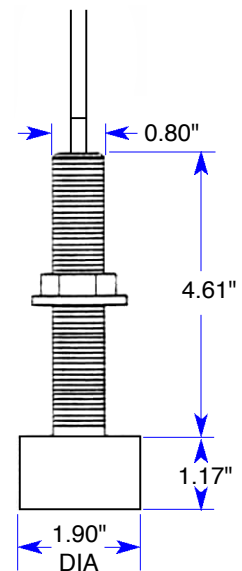
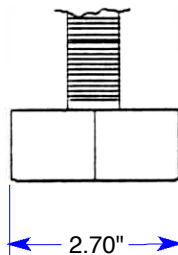


EXTRACTABLE MUSHROOM NYLON

- M17286 (RCA)
- 1-2403.100 for 6 pin connector
- 2" straight hole cut out.



BOAT SHAPED BRASS CONFIGURATION



ROUND BRASS CONFIGURATION